

Robotic Dragon Bank Kit



Good to know!

If you are missing any parts,
please contact Thames &
Kosmos technical support.

KIT CONTENTS



Checklist:

✓	No.	Description	Quantity	Part No.
<input type="radio"/>	A	Red frame	1	729731
<input type="radio"/>	B	Gray frame	1	729732
<input type="radio"/>	P1	Back leg, right	1	730003
<input type="radio"/>	P2	Back leg, left	1	730005
<input type="radio"/>	P3	Front leg, right	1	730006
<input type="radio"/>	P4	Front leg, left	1	730007
<input type="radio"/>	P5	Tail	1	730008
<input type="radio"/>	P6	Wing holder	2	730009
<input type="radio"/>	P7	Latch	1	730010
<input type="radio"/>	P8	Battery compartment cover	1	730011
<input type="radio"/>	P9	Battery compartment	1	730012
<input type="radio"/>	P10	Neck plate, right	1	730013
<input type="radio"/>	P11	Neck plate, left	1	730015

✓	No.	Description	Quantity	Part No.
<input type="radio"/>	P12	Back spines	1	730016
<input type="radio"/>	P13	Neck spines	1	730017
<input type="radio"/>	P14	Tweezers	1	730018
<input type="radio"/>	P15	Head, right	1	729733
<input type="radio"/>	P16	Head, left	1	729734
<input type="radio"/>	P17	Jaw right	1	729735
<input type="radio"/>	P18	Jaw left	1	729736
<input type="radio"/>	P19	Mouth interior	1	729737
<input type="radio"/>	P20	Body, right	1	729738
<input type="radio"/>	P21	Body, left	1	729739
<input type="radio"/>	P22	Hatch	1	729740
<input type="radio"/>	P23	Chest bottom	1	729741
<input type="radio"/>	P24	Outer chest wall, right	1	729742
<input type="radio"/>	P25	Outer chest wall, left	1	729743
<input type="radio"/>	P26	Inner chest wall, right	1	729744
<input type="radio"/>	P27	Inner chest wall, left	1	729745
<input type="radio"/>	P28	Eye	2	729746
<input type="radio"/>	P29	Tension rod	1	729747
<input type="radio"/>	P30	Cam	2	729748
<input type="radio"/>	P31	Axle gear	1	729749

YOU WILL ALSO NEED:

Small Phillips-head screwdriver, diagonal cutter or scissors and a nail file, 2 AAA batteries (1.5-volt, type LR03)

Dear parents and adults,

Please support and accompany your child when assembling the Robotic Dragon Bank. Read the instructions together and follow them.

Assembling the Robotic Dragon Bank is an exciting project and can take one to two hours. Please use diagonal cutters or scissors to remove parts from frames A and B. **Do not** try to remove them by hand. Please ensure that all parts of the kit are kept away from small children and that the battery compartment is secured with the screw nut and the screw. **Have fun assembling and experimenting with your Robotic Dragon Bank Kit!**

SAFETY INFORMATION

WARNING

WARNING: Not suitable for children under 3 years. Choking hazard — small parts may be swallowed or inhaled.

WARNING: This toy is intended for use by children over the age of 8 years and above due to accessible electrical components. Instructions for parents or caregivers are included and must be followed. Keep packaging and instructions as they contain important information.

BATTERY WARNINGS

- › Never use the household power supply for experiments! High voltage is extremely dangerous and can be fatal!
- › To operate the models, you will need two AAA batteries (1.5-volt, type LR03), which could not be included in the kit due to their limited shelf life.
- › Avoid a short circuit of the batteries. A short circuit can cause the cables to overheat and the batteries to explode.
- › Different types of batteries or new and used batteries are not to be mixed.
- › Do not mix old and new batteries.
- › Do not mix alkaline, standard (carbon-zinc), or rechargeable (nickel-cadmium) batteries.
- › The batteries are to be inserted with the correct polarity (+ and -). Press them gently into the battery compartment. See reverse side, step 48.
- › Non-rechargeable batteries are not to be recharged. They could explode!
- › Rechargeable batteries are only to be charged under adult supervision.
- › Exhausted batteries are to be removed from the toy.
- › The supply terminals are not to be short-circuited.
- › Dispose of used batteries and electrical components in accordance with environmental provisions, not in the household trash.
- › Avoid deforming the batteries.
- › The device is only to be used when completely assembled. Have an adult check the model before use to make sure it is assembled properly.
- › The cables are not to be inserted into socket outlets.
- › The toy is not to be connected to more than the recommended number of power supplies, this means only use the included battery box. Do not use any power supply other than the aforementioned batteries. Do not use any adapters.

✓	No.	Description	Quantity	Part No.	✓	No.	Description	Quantity	Part No.
○	P32	Safety gear	1	729750	○	P43	Blue cable	1	729764
○	P33	Double gear	1	729751	○	P44	Gray cable	1	729765
○	P34	Long axle gear	1	729752	○	P45	Metal rod	1	729767
○	P35	Large axle gear	1	729753	○	P46	Screw (in battery compartment cover)	1	729768
○	P36	Large gear	1	729754	○	P47	Positive pole	1	729759
○	P37	Large spiral	1	729755	○	P48	Negative pole	1	729758
○	P38	Gear	1	729756	○	P49	Positive & negative pole	1	729760
○	P39	Chest gear	1	729757	○	P50	Metal contact	2	729761
○	P40	Nut	1	729766	○	P51	Contact plate, right	1	729762
○	P41	Motor	1	729769	○	P52	Contact plate, left	1	729763
○	P42	Contact protector	1	729770	○	P53	Sheet with wings	1	730078

ASSEMBLING THE DRAGON BANK

NEED HELP BUILDING?

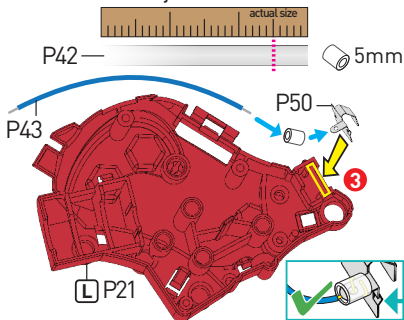


Easy-to-read digital instructions

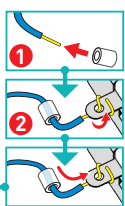
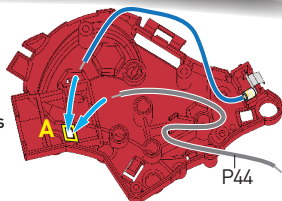


Assembly video & troubleshooting

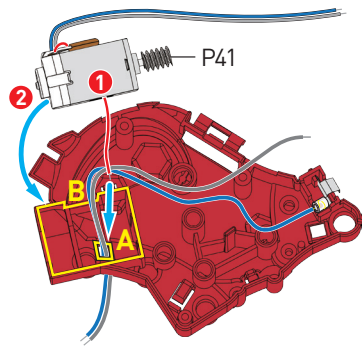
1. Use scissors to cut a 5-mm piece of the contact protector and slide it onto the blue cable.
2. Insert the metal end of the cable into the small hole in the metal contact, and wrap the cable around it. Then slide the contact protector onto it.
3. Slide the metal contact into the groove marked in yellow.



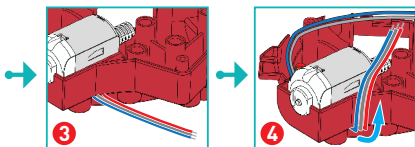
2. Insert the blue and gray cables through hole A.



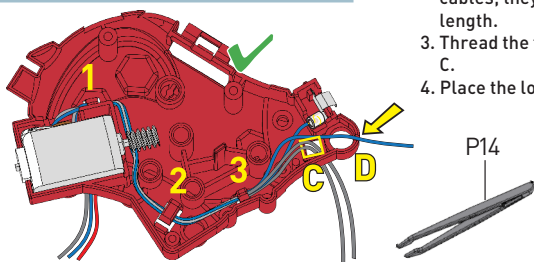
3. 1. Insert the red motor cable through hole A. 2. Place the motor into the area marked in yellow. The two blue and two gray cables should sit in the channel B.



3. Pull on the red, gray, and blue cables until they are the same length.
4. Bend them upward.

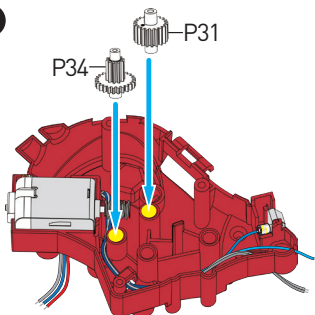


4. 1. Hold the assembly in your non-dominant hand, pressing the three cables in place with your thumb. 2. Use the tweezers (P14) in your other hand to arrange the two blue and two gray cables under the tabs at 1, 2, and 3. Note: it is okay to adjust the length of the cables; they will no longer be the same length. 3. Thread the two gray cables through hole C. 4. Place the long blue cables into notch D.

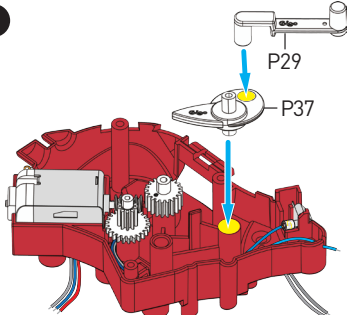


NOTE:
It is okay if the cables are no longer the same length.

5. 1. Insert gear P34 into the motor shaft. 2. Insert gear P31 into the motor shaft.

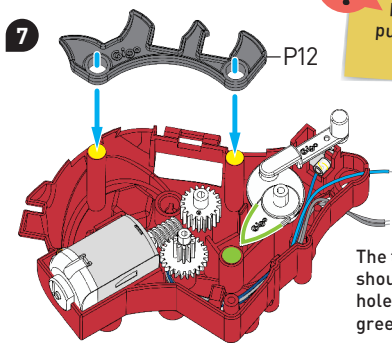


6. 1. Insert gear P29 into the motor shaft. 2. Insert gear P37 into the motor shaft.

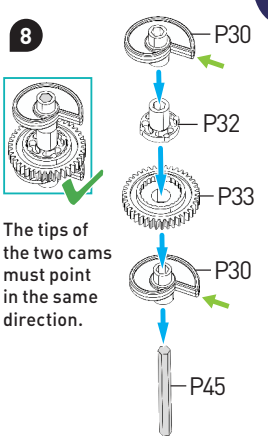




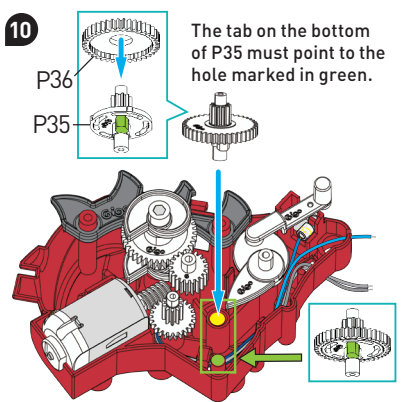
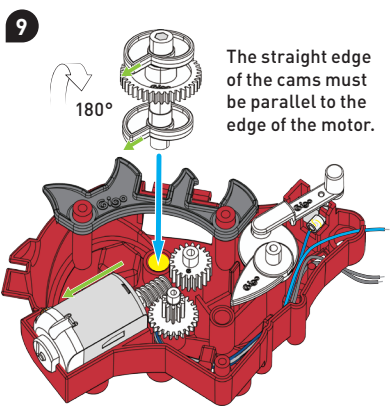
! Make sure to push P12 all the way in.



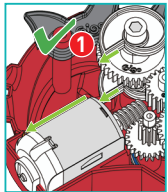
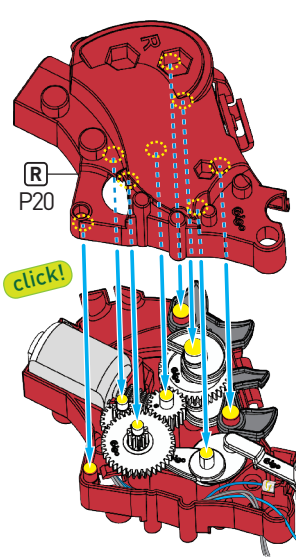
The tip of P37 should point to the hole marked in green.



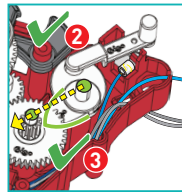
The tips of the two cams must point in the same direction.



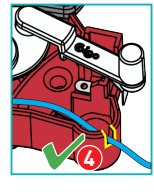
11 Before placing P20 to close the body, double check the following four points:



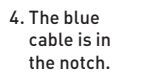
1. The straight edges of the cams are parallel to the edge of the motor.



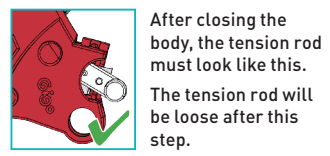
2. The tension rod is in the correct place.



3. The tip of P37 points to the center of P35/P36.

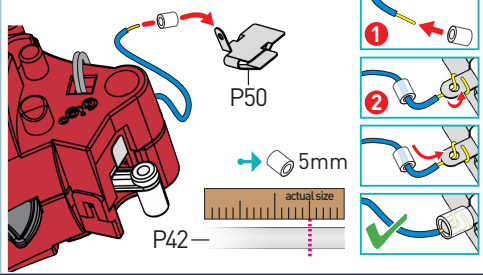


4. The blue cable is in the notch.



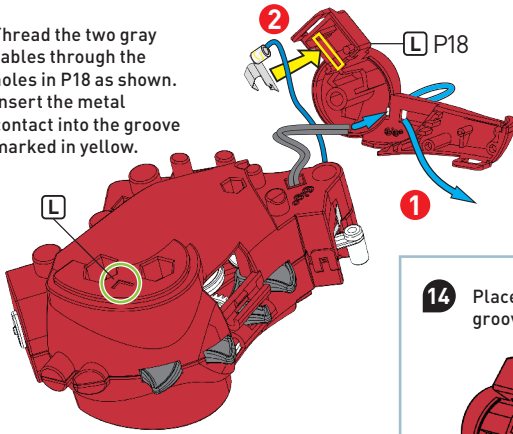
12

1. Cut a piece of the contact protector and slide it onto the blue cable.
2. Insert the metal end of the cable into the small hole in the metal contact, and wrap the cable around it. Then slide the contact protector onto it.

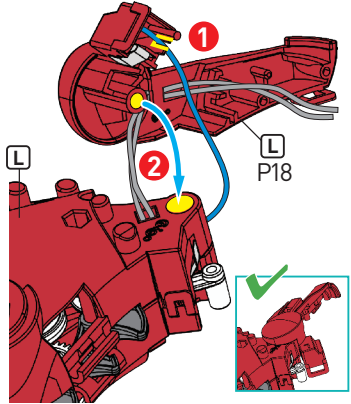




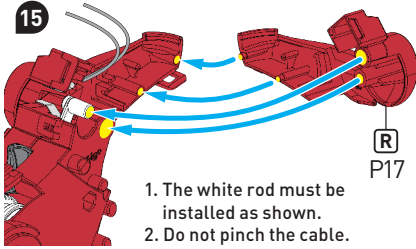
- 13** 1. Thread the two gray cables through the holes in P18 as shown.
2. Insert the metal contact into the groove marked in yellow.



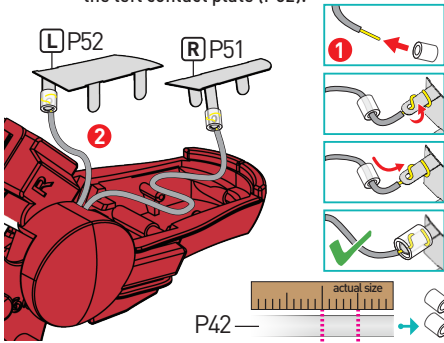
- 14** Place the blue cable into the groove marked in yellow.



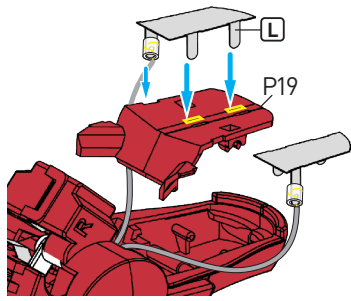
- 15** 1. The white rod must be installed as shown.
2. Do not pinch the cable.



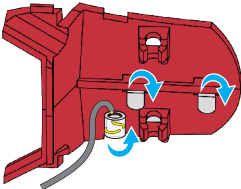
- 16** 1. Cut two pieces of the contact protector and slide them onto the gray cables.
2. Connect the longer cable to the right contact plate (P51) and the shorter cable to the left contact plate (P52).



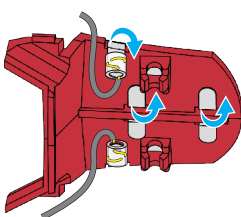
- 17** Press the left contact plate (P52) into the mouth (P19).



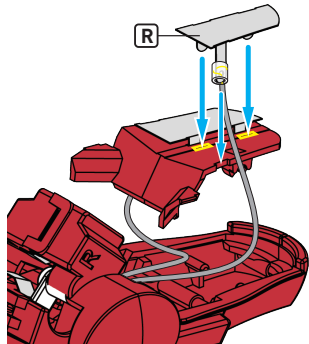
- 18** Bend the three contact clips toward the inside and press flat.



- 20** Bend the three contact clips toward the inside and press flat.

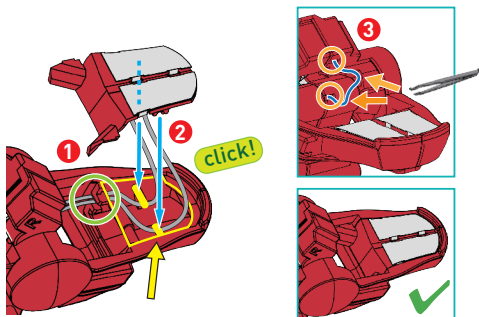


- 19** Press the right contact plate (P51) into the mouth (P19).

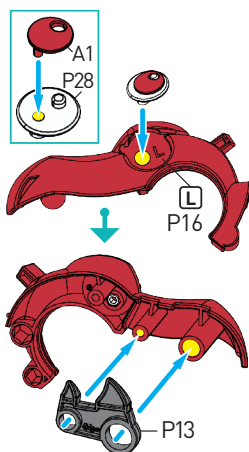


ASSEMBLY CONTINUES ON REVERSE SIDE

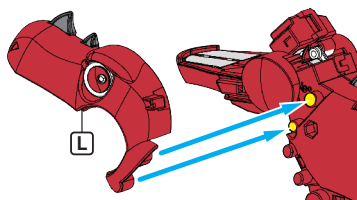
- 21** 1. Pass the two gray cables under the tab marked in green. Secure the cables under the two pegs marked in yellow.
2. Press the mouth interior down onto the pegs marked in yellow to fix it in place.
3. Push the blue cable into the two holes marked in orange.



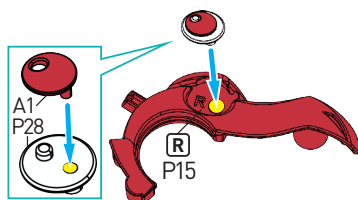
22



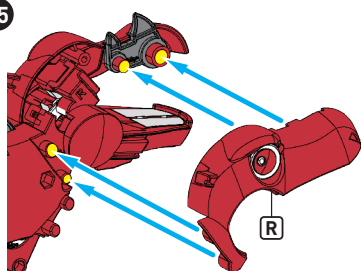
23



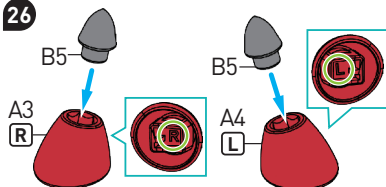
24



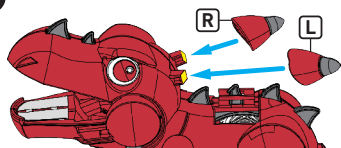
25



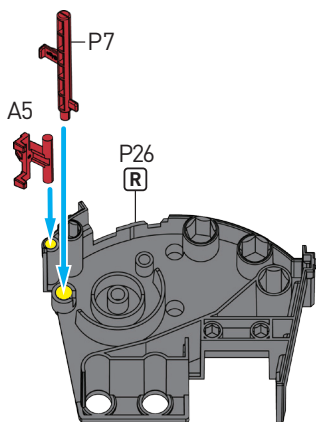
26



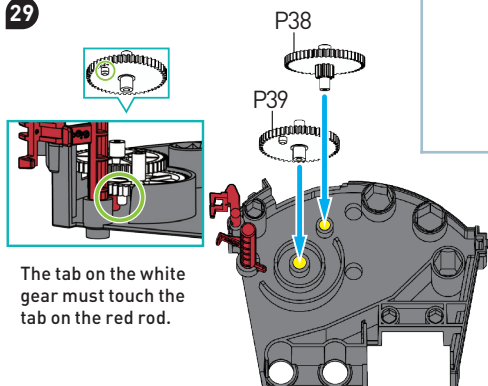
27



28

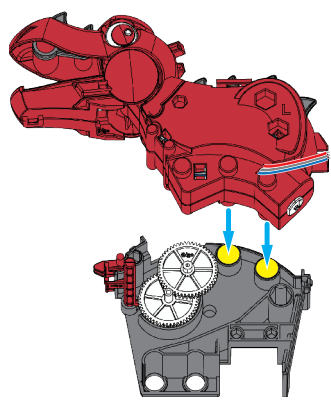


29



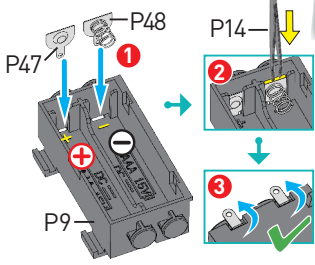
IMPORTANT:
Pay close attention to the position of the positive and negative poles!

30



31

The spring and bulge point inward.

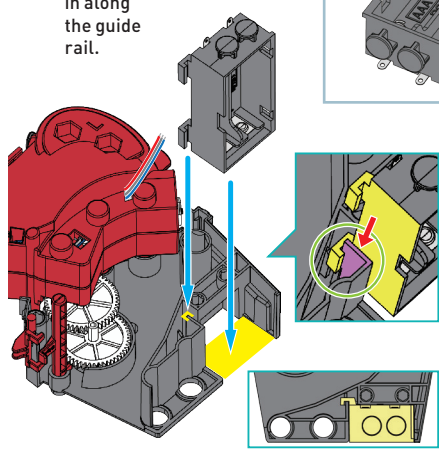


Push the contacts firmly all the way down with the tweezers.

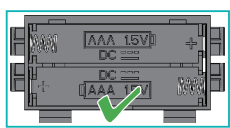
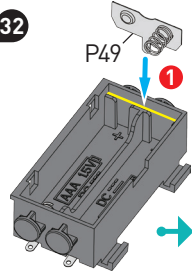
Bend the tabs of the contacts outward at a 90° angle.

33

Slot the tray in along the guide rail.



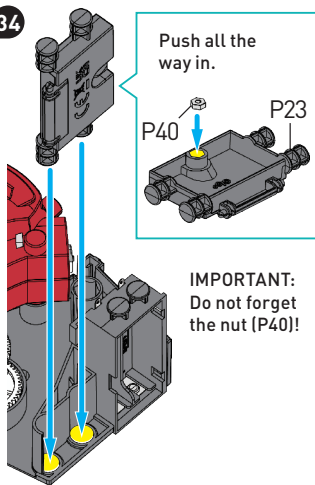
32



Bend the tab of the contact inward.

34

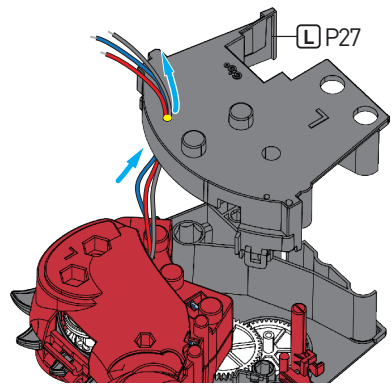
Push all the way in.



IMPORTANT:
Do not forget the nut (P40)!

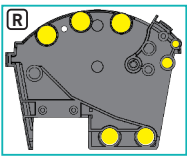
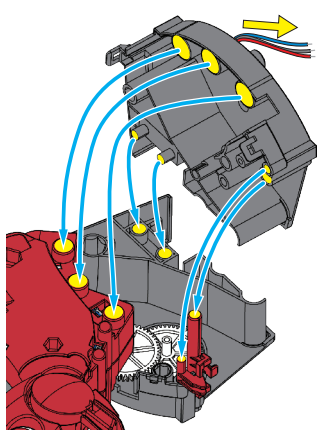
35

Insert the three cables (red, blue, and gray) through the marked hole.



36

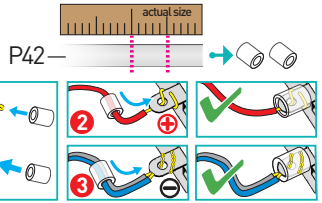
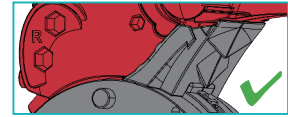
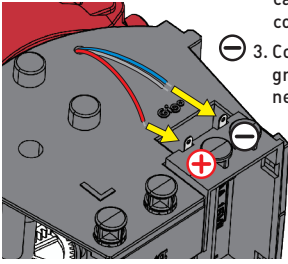
After assembling, pull the cables through as far as they go.



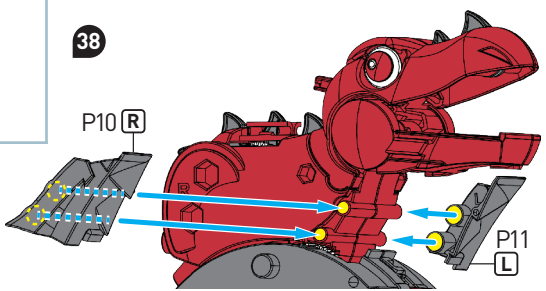
After assembly, no openings should be visible.

37 1. Twist the metal ends of the blue and gray cables together. Cut two pieces of contact protector slide them onto the cables.

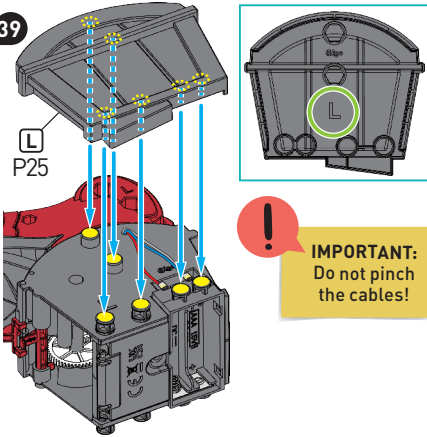
- +** 2. Connect the red cable to the positive contact.
- 3. Connect the blue and gray cables to the negative contact.



38

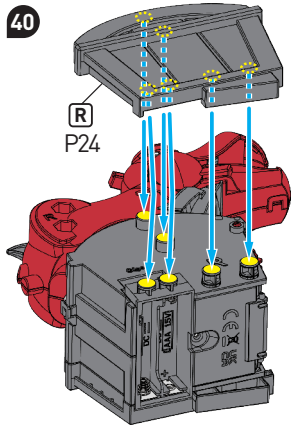


39

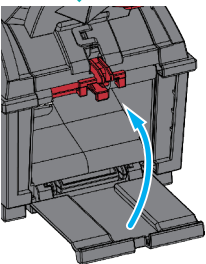
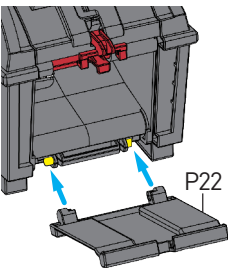


! **IMPORTANT:**
Do not pinch the cables!

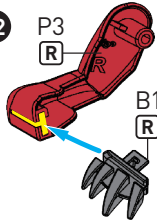
40



41



42



R

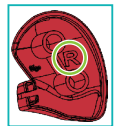
P1

R

B3

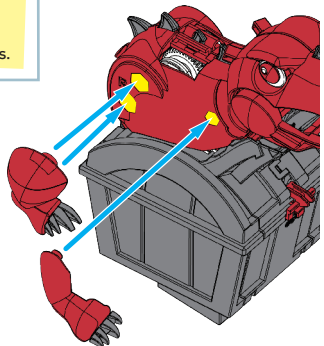
R

Push all the way in.



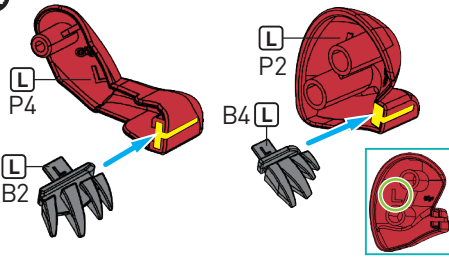
Locked:
The chest will remain closed until you open it manually.
Unlocked and latch down:
Chest opens automatically after a certain number of coins.

43

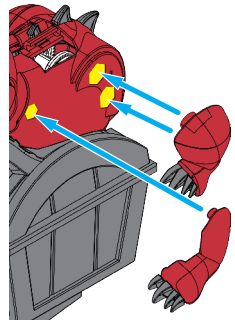




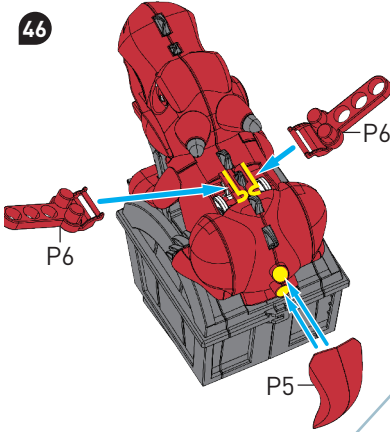
44



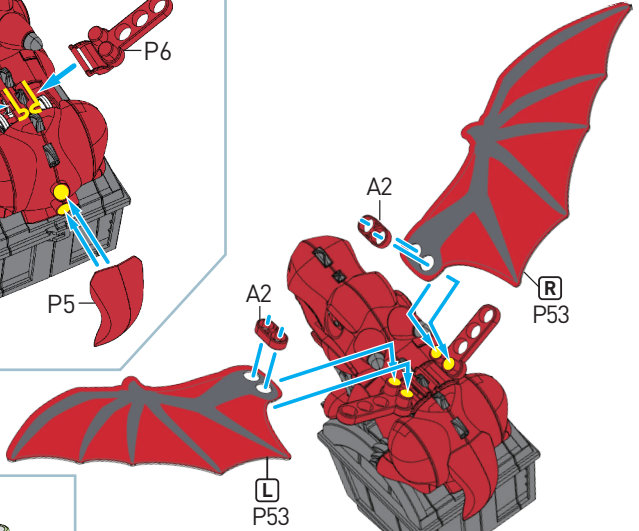
45



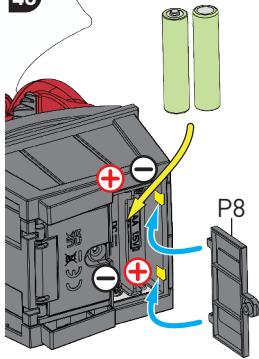
46



47



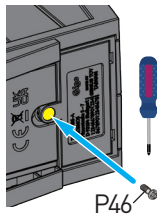
48



Insert two AAA batteries. Make sure the polarity is correct!

49

IMPORTANT!
Be sure to close the battery compartment with the screw P46. (The screw is preinstalled and will remain in the cover.)



Finished!
Feed me coins!



NOTES ON DISPOSAL OF ELECTRICAL AND ELECTRONIC COMPONENTS:

The electronic components of this product are recyclable. For the sake of the environment, do not throw them into the household trash at the end of their lifespan. They must be delivered to a collection location for electronic waste, as indicated by the following symbol: Please contact your local authorities for the appropriate disposal location.



HELP! MY DRAGON WON'T STOP CHOMPING!



Remove the batteries right away and follow the troubleshooting steps in the video above.



CHECK IT OUT

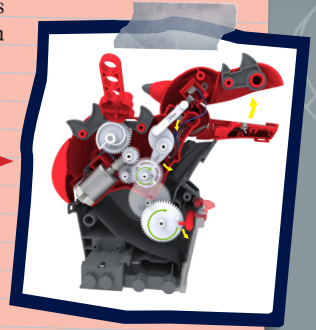
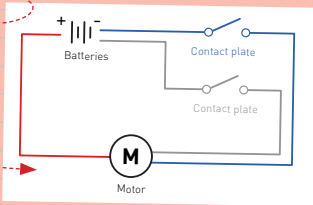


Here's how your Robotic Dragon Bank works

Have you noticed your Robotic Dragon Bank does not swallow all coins? It loves metal coins, but it refuses to eat plastic or chocolate coins. This is because only metal coins have the proper **electrical conductivity**. Electrical conductivity describes the ability of an object to allow electrical current to flow through it. Wood and plastics are called non-conductors or insulators, meaning little to no current flows through them. Metal, on the other hand, conducts electricity without any problems.

Your Robotic Dragon Bank works electrically and gets its power from the two batteries, but you won't find a switch to turn it on or off. That's because it's the coins that "turn on" your Robotic Dragon Bank.

In the dragon's mouth, you can see two metal plates that do not touch each other. If you put a metal coin on the two plates, it creates a connection between the them, like a switch. The circuit that runs through the interior of the dragon along the cables is temporarily closed. This is how the current from the batteries reaches the motor and makes the dragon move.



IMPORTANT!

The chest will open automatically after a certain surprise number of coins if the red lock is not closed. If you push the red lock down onto the latch, the chest will remain closed until you release the latch by hand.

© 2025 Franckh-Kosmos Verlags-GmbH & Co. KG • Pfizerstrasse 5-7 • 70184 Stuttgart, DE

Text: Tanja Sautter
Technical product development: Dr. Petra Müller, Dominik Ulrich, Genius Toys Taiwan Co., Ltd.
Manual design concept: Atelier Bea Klenk, Berlin.
Packaging design concept: Peter Schmidt Group, Hamburg
Manual layout: Joanna Mühlbauer, Steingaden
Packaging layout: Mariela Schwerdt, Stuttgart
Illustration and images: Genius Toys Taiwan Co., Ltd.
English manual editing: Ava Tessitore and Hannah Mintz

1st English Edition © 2025 Thames & Kosmos, LLC, Providence, RI, USA
Thames & Kosmos ® is a registered trademark of Thames & Kosmos, LLC.

Distributed in North America by Thames & Kosmos, LLC. Providence, RI 02903
Phone: 800-587-2872; Web: www.thamesandkosmos.com

Distributed in United Kingdom by Thames & Kosmos UK LP. Cranbrook, Kent TN17 3HE; Phone: 01580 713000; Web: www.thamesandkosmos.co.uk

This work, including all its parts, is copyright protected. Any use outside the specific limits of the copyright law is prohibited and punishable by law without the consent of the publisher. This applies specifically to reproductions, translations, microfilming, and storage and processing in electronic systems and networks. We do not guarantee that all material in this work is free from other copyright or other protection.

We reserve the right to make technical changes; Printed in China / Imprimé en Chine